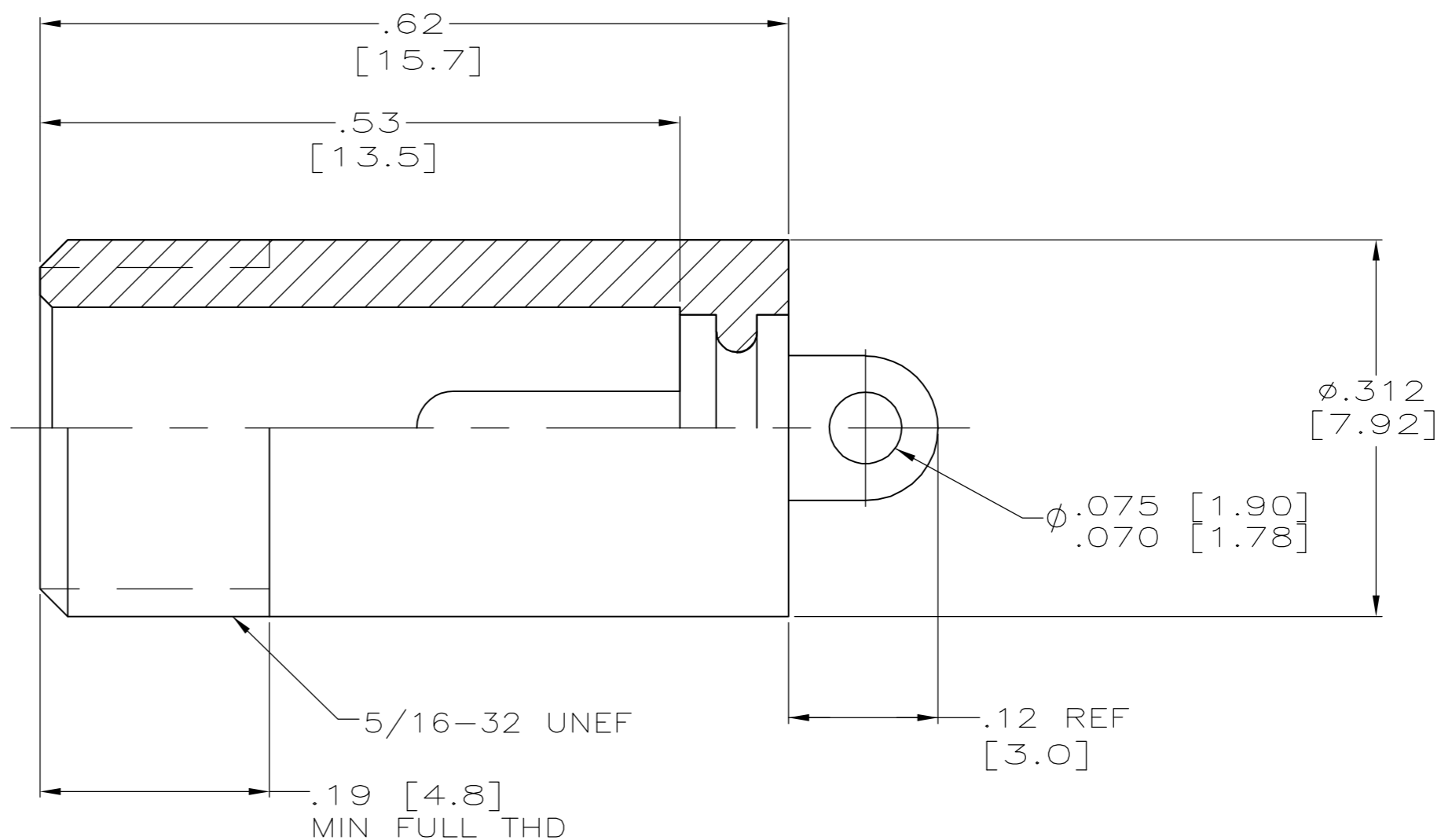
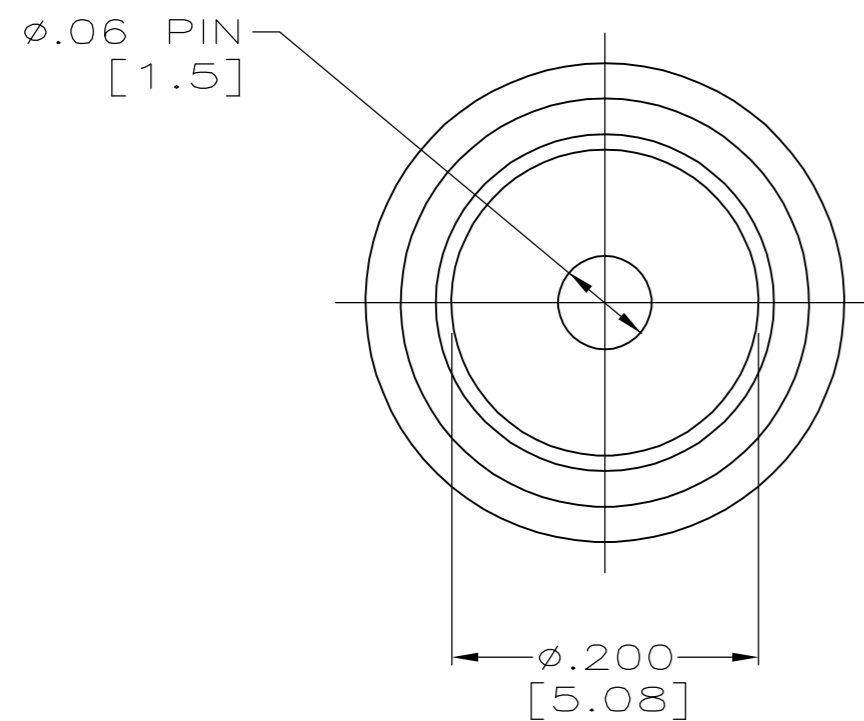


THIS DRAWING IS UNPUBLISHED. RELEASED FOR PUBLICATION
 © COPYRIGHT BY TYCO ELECTRONICS CORPORATION. ALL RIGHTS RESERVED.

LOC		DIST		REVISIONS			
P	LTR	DESCRIPTION		DATE	DWN	APVD	
	R	REV PER 0H14-0191-05		05-05	AA	DE	

1. RECEPTACLE TO MATE WITH AMP LGH-1/2 LEAD ASSY.
2. MARKED PER MIL-STD-130.
3. SPECIAL TESTING REQUIRED.
4. CUSTOMER PART NO. 44121-001 MARKED PER MIL-STD-130.



-	.000150 MIN TIN	5-830178-1
3/4	.000150 MIN TIN-LEAD	830178-8
3	.000150 MIN TIN-LEAD	830178-7
-	.000050 MIN GOLD	830178-3
-	.000030 MIN GOLD	830178-2
-	.000150 MIN TIN-LEAD	830178-1
REMARKS	TERMINAL PLATING	PART NO.

THIS DRAWING IS A CONTROLLED DOCUMENT.		DWN	23-MAR-94	C.C. THOMAS		tyco Tyco Electronics Corporation	
DIMENSIONS: INCHES		CHK	24-MAR-94	D. EABY		Harrisburg, Pa 17105-3608	
TOLERANCES UNLESS OTHERWISE SPECIFIED:		APVD	24-MAR-94	D. EABY		NAME	
0 PLC ± -		PRODUCT SPEC		-		RECEPTACLE LGH-1/2	
1 PLC ± -		APPLICATION SPEC		-		-	
2 PLC ± .02[0.5]		WEIGHT		-		SIZE CAGE CODE DRAWING NO RESTRICTED TO	
3 PLC ± .005[0.13]		CUSTOMER DRAWING		A2 00779 C=830178		SCALE 4:1 SHEET 1 OF 1 REV R	
4 PLC ± -							
ANGLES ± -							
FINISH -							